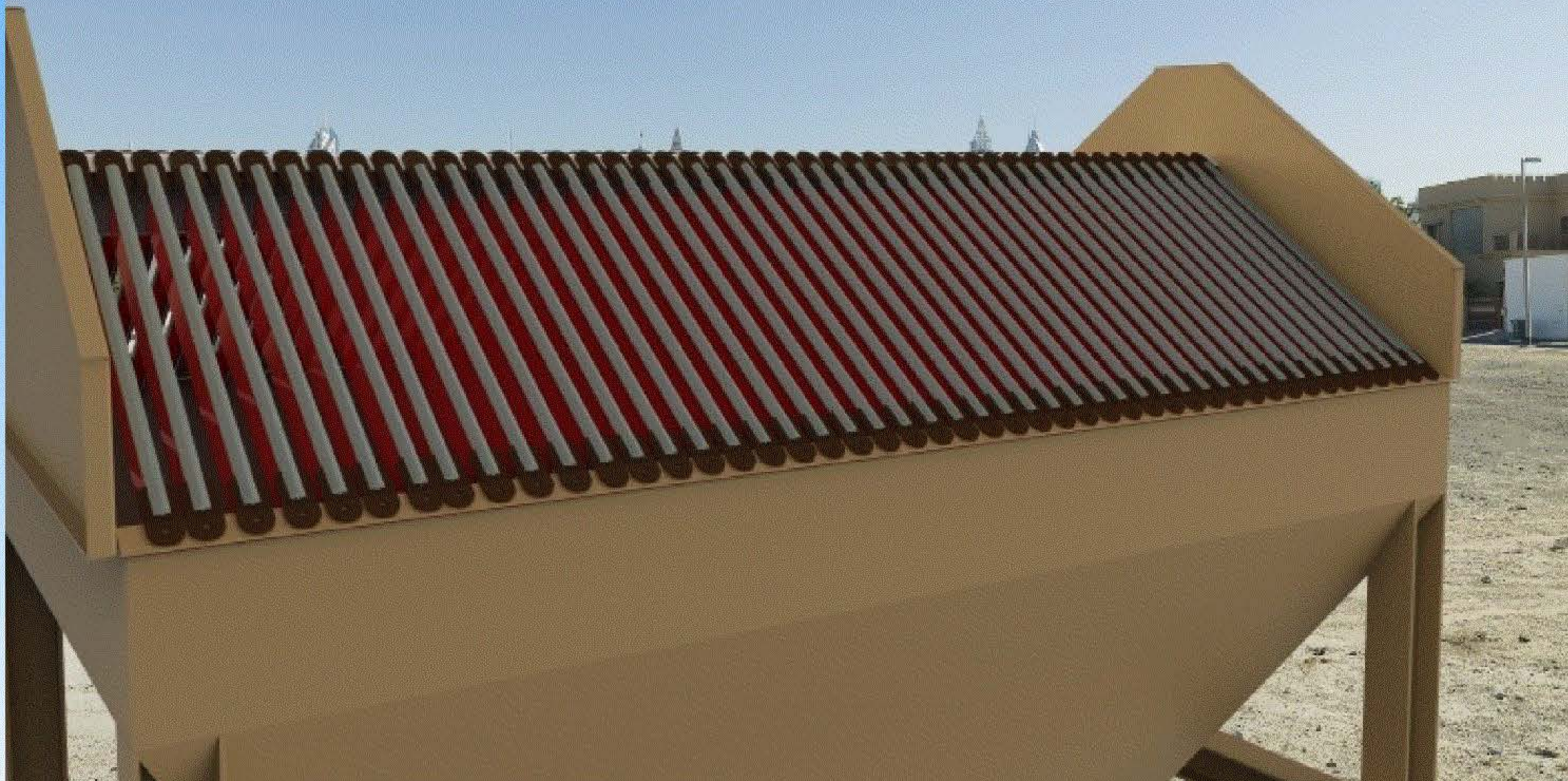




## ▪ New Product Announcement ▪

# Heated Grizzlies



Electrically heated bars or grids internally heat traced eliminates freezing regardless of temperature or moisture content of the product.

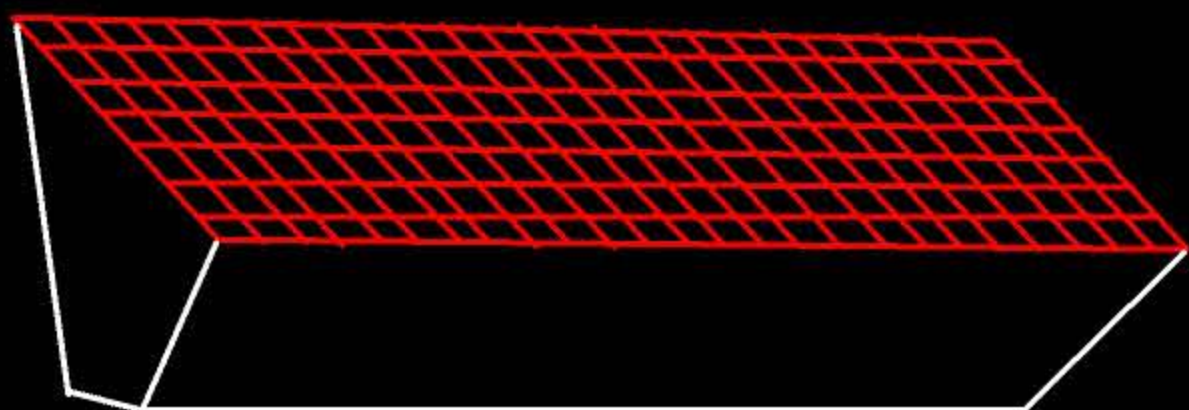
Guaranteed !

Custom fabricated as an exact replacement for your current Grizzly.

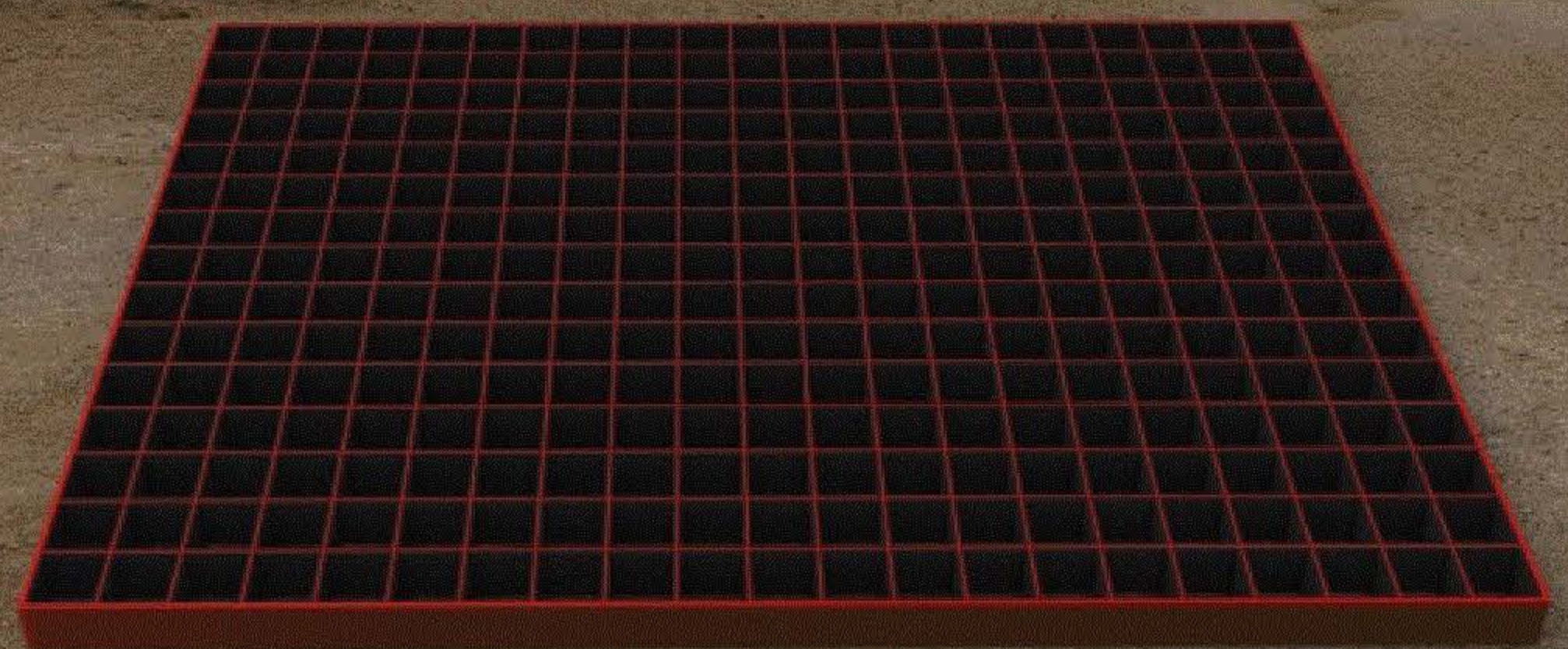
Pat. Pend.



*Another ThermoTech innovation to keep you running on the coldest nights !*



## Exact replacement for your current grizzly



**\* When used in conjunction with ThermoTech's heated hopper liners, heated chute liners and high performance belt heaters, you can watch your cold weather down time melt away.**

**Over 34 years of experience goes into every ThermoTech innovation**

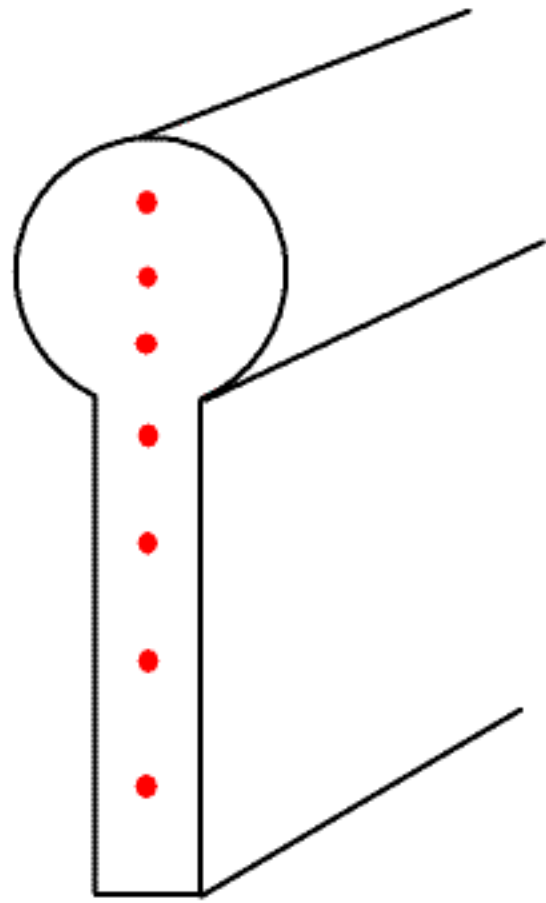
ThermoTech Inc. 215 Headsville Rd, Keyser, WV 26726

1-877-693-7693 1-304-259-5860 1-304-788-1400

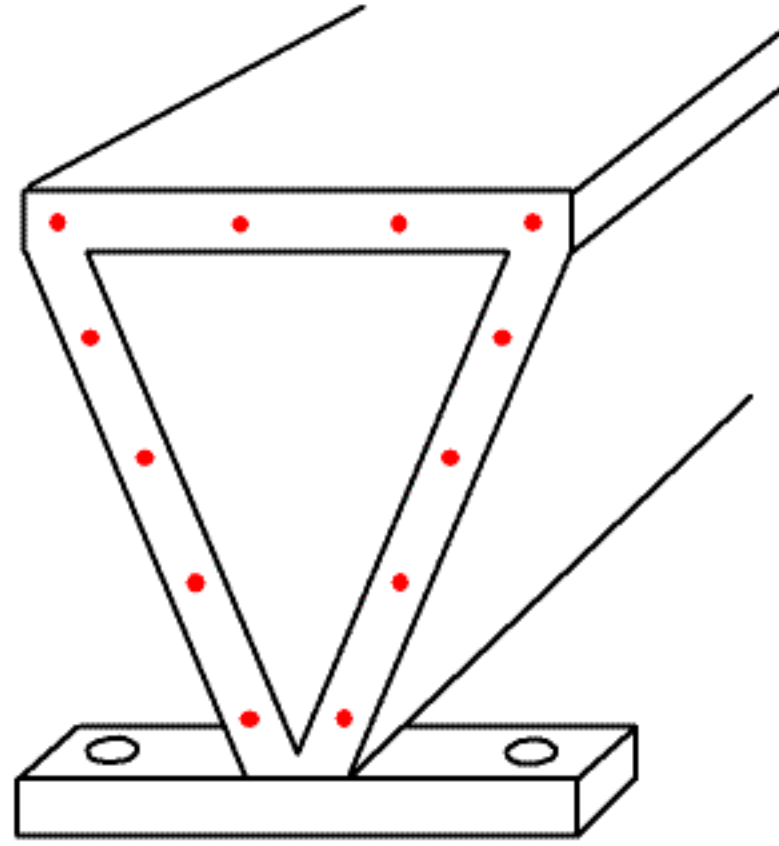
[www.ThermoTechinc.com](http://www.ThermoTechinc.com)

# JB100° HEATED GRIZZLIES

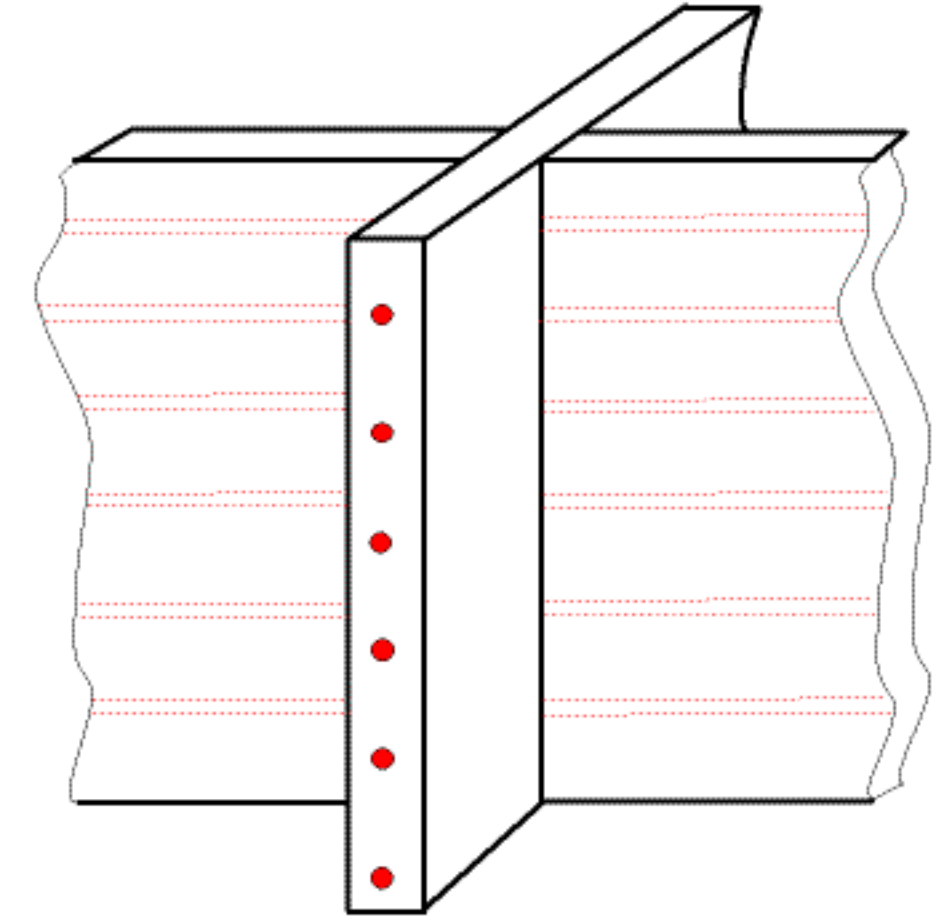
HEAT TRACING FOR ANYTHING



Weld In



Bolt In



Drop In

Designed and manufactured to meet your exact needs. Meets any load bearing requirement.  
Heat traced to suit the temperature called for by your product and weather situation.  
Typically 30-60 watts per square foot of exposed surface area\*.

## Specifications

Individual bars or complete grids

Hard bars, wear bars

Any size or shape

Any weight bearing requirement

Any voltage, any wattage desired available

Electrical connections with armored bus duct

Prevent freezing / plugging

Not affected by weather extremes

Temperature limiting, safe for biomass materials

Sizing or scalping

Compatible with existing equipment

Weld in, bolt in, drop in

\*60 Watts per square ft of exposed surface area will raise the temperature approximately 100 Deg F in a no wind condition.

*Eliminate downtime caused by freezing material when loading hoppers and bins.*