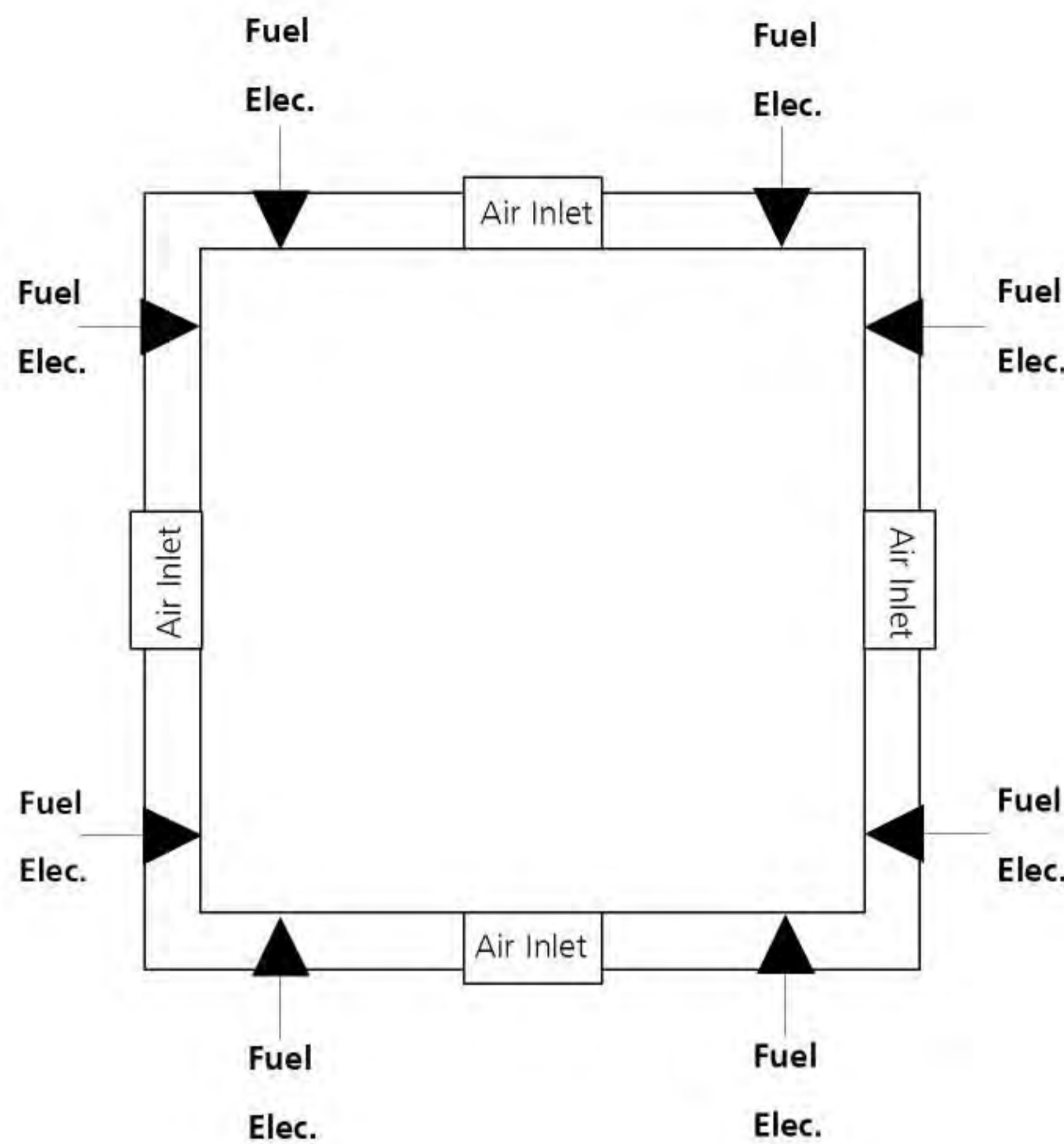


HEATER DESIGN FORM

To design the heater for the easiest installation select the entrance for the fuel, air and electrical as shown in the example at the bottom of the page. Photo copy and fill out one of these forms for each individual heater even if the same configuration is used.

Company	Date	
Mine Location / Operation Name		
Contact	Phone Cell	
E-mail:		
Belt Number or Name		
Speed	Width	Length
Heater Purpose		
Model	Fuel Type*	Combustion Chamber Std. Custom N/A
Heater Location (See Photo)		
Material conveyed Remarks:		

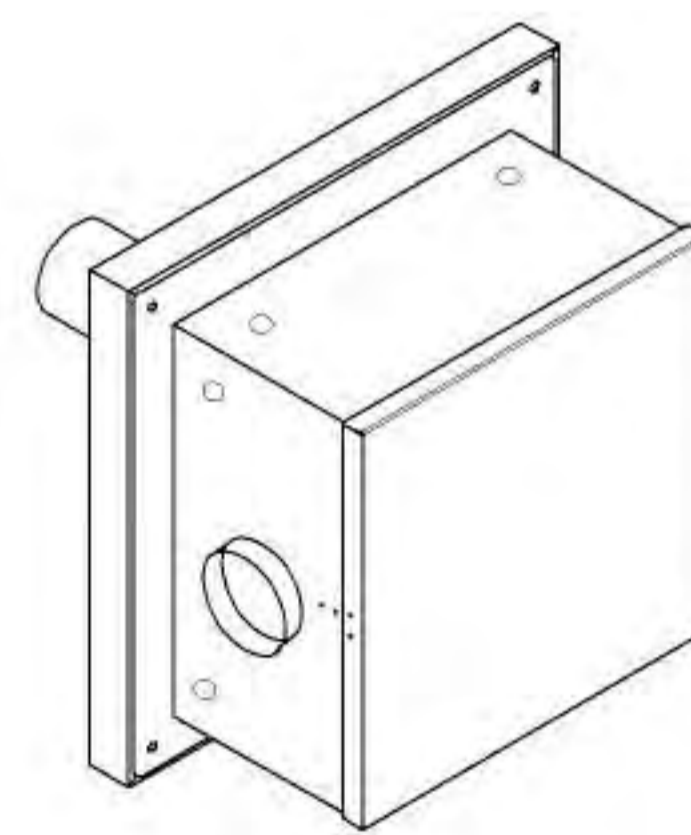


Photos or drawings of proposed location

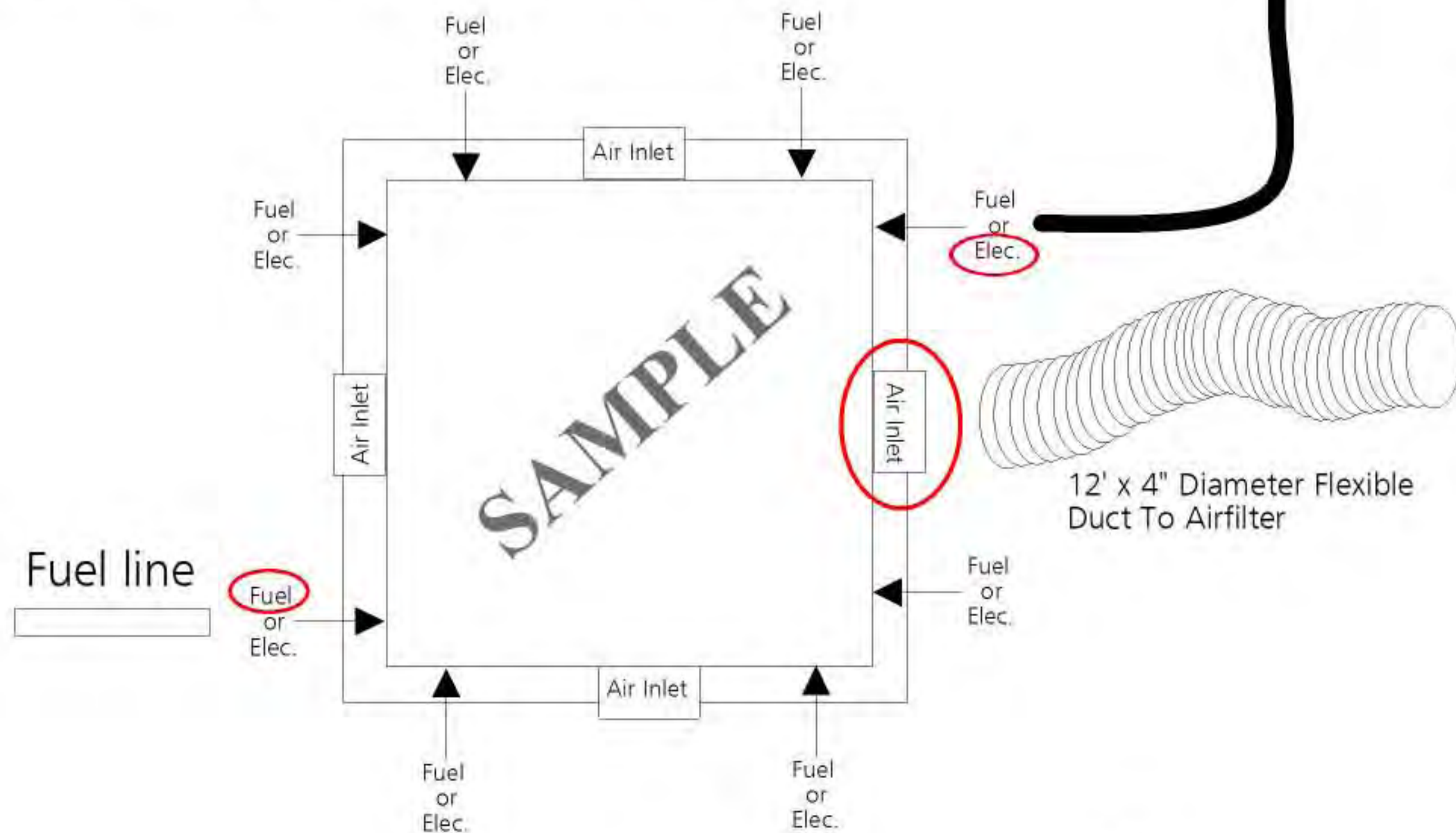
*Fuel : Diesel, Propane, Natural Gas, Electric

The fuel line and electrical connection can enter the enclosure on any corner as indicated by the arrows. Select and circle one. Both the fuel line and conduit CANNOT be located on the same corner however.

The airfilter duct entrance can be located on any of the four sides as indicated. Circle the best location as illustrated.



The heater comes with 11' of 4" flexible duct to be attached to the air filter. This duct can be shortened or added to as required.



For Assistance Contact:
Themo-Tech Inc.
81 Althouse Hill Rd
Oakland, MD 21550

Phone 1-877-693-7693
(301) 334-6189
Fax (301) 334-6173
www.beltheater.com